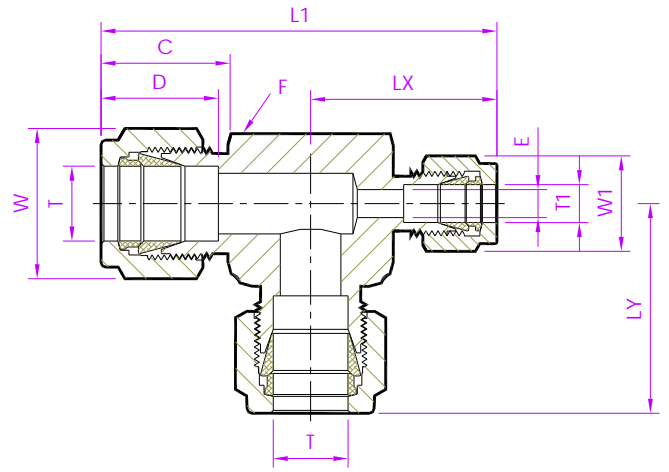


- Tube Fitting (Double Ferrule)-
Tube To Tube

Reducer Union Tee

(two similar to
a different run - X)



Fractional Tube x Fractional Tube

Tubefit Part No.	Equivalent Part No. Type 1	Equivalent Part No. Type 2	TUBE OD Ø T	TUBE OD Ø T1	ØE	D	C	L1	LX	LY	Body Hex F	Nut Hex W	Nut Hex W1
Dimensions in Inches													
RUTXD - 6 - 4 - 6	- 600 - 3 - 4 - 6	6 - 4 - 6 JLZ	3/8	1/4	0.19	0.66	0.76	2.34	0.85	1.20	11/16	11/16	9/16
RUTXD - 8 - 6 - 8	- 810 - 3 - 6 - 8	8 - 6 - 8 JLZ	1/2	3/8	0.28	0.90	0.86	2.73	1.31	1.42	13/16	7/8	11/16
RUTXD - 8 - 4 - 8	- 810 - 3 - 4 - 8	8 - 4 - 8 JLZ		1/4	0.19			2.67	1.25				9/16
RUTXD - 16 - 8 - 16	- 1610 - 3 - 8 - 16	16 - 8 - 16 JLZ	1	1/2	0.41	1.23	1.04	3.70	1.76	1.94	1.3/8	1.1/2	7/8
RUTXD - 16 - 12 - 16	- 1610 - 3 - 12 - 16	16 - 12 - 16 JLZ		3/4	0.62			3.70	1.76				1.1/8

NOTE: 1)The E Dimension is the minimum opening. 2)Dimension L1, C, D is shown in the finger-tight position.
3)Dimensions are for reference only and are subject to change.